

Self service FIT SISTEM

PNC	Model	Ref	Page	Notes
320003	FS07C	a	1-2	FIT SYSTEM 750 mm 2 gn without cup board
320004	FS11C	b	1-2	FIT SYSTEM 1125 mm 3 gn without cup board
320005 02	FS11C2	d	1-2	FIT SYSTEM 1500 mm 4 gn with hot cup board
320006	FS15C	c	1-2	FIT SYSTEM 1125 mm 3 gn without cup board
320007 02	FS15C2	e	1-2	FIT SYSTEM 1500 mm 4 gn with hot cup board



PLATON SERVICE
8 (800) 500-34-41
www.platonservice.com

Index

Pag. 1 Cupboard and components
2 Spare parts list

Indice

Mobile e componenti
Lista ricambi

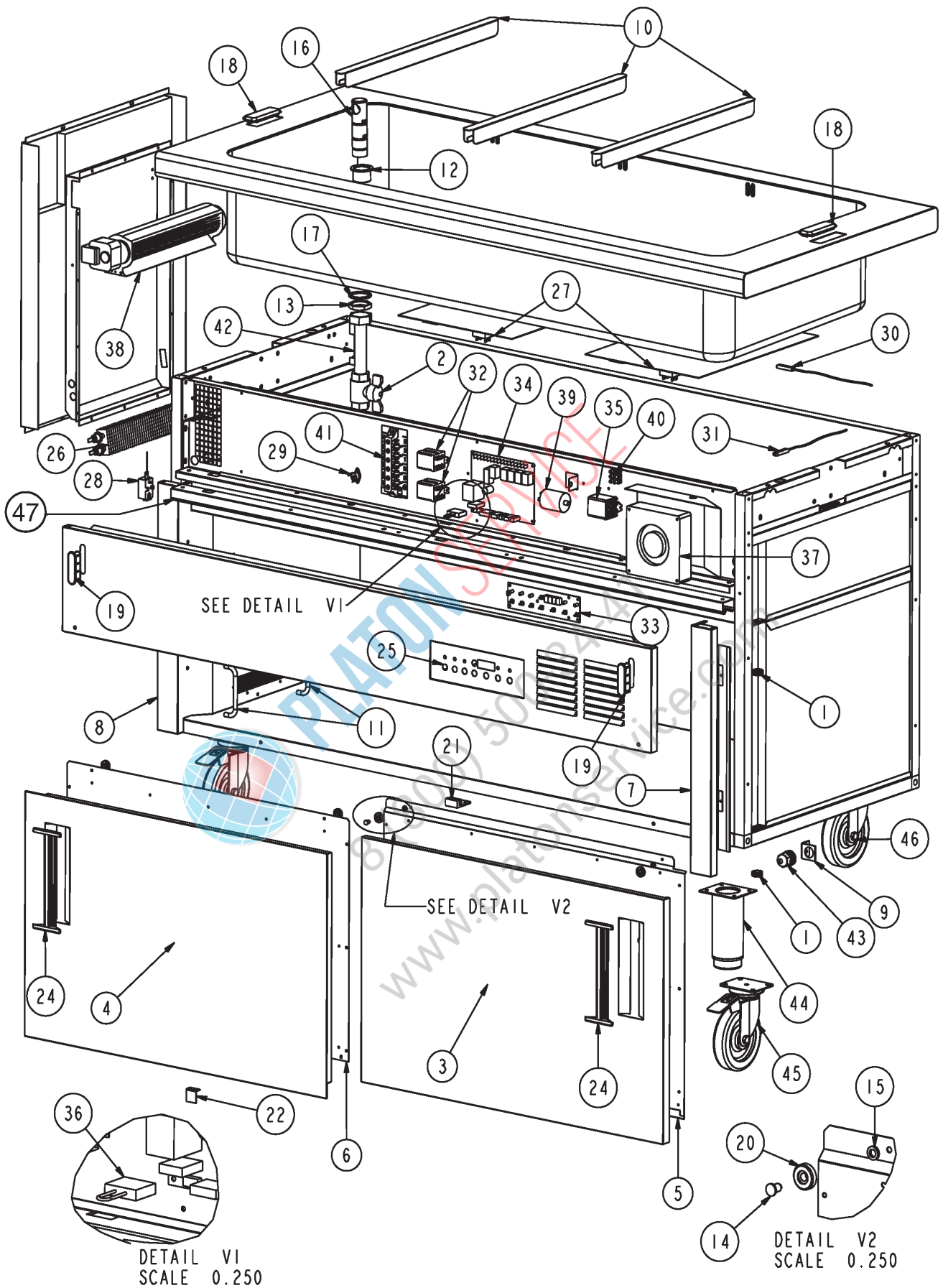
Brand / Marchio: MULTIBRAND
Factory code: 3PDX

OS / DOC

date 02-2006

Ed. 2"

595320600



??????		320006									
??????		595320600		???????? 2		Cupboard and components					
.		Alias		S		.				(Euro)	
0001	0PE013									a,b,c,d,e	
0002	032459							BALL VALVE; 3/4" FF		a,b,c,d,e	25,63
0003	0PE003									c	
0004	0PE005							DOOR; SX FS11/C2		c	116,70
0005	0PE007									c	
0006	0PE009									c	
0009	0PE012									a,b,c,d,e	
0010	032168							CROSSPIECE		a,b,c,d,e	32,78
0011	032128		0PE733					CHROME-PLATED HANDLE; INTERAXISX 96MM		c,e	
0012	032244							DRAIN		a,b,c,d,e	17,00
0013	032245							LOCK NUT		a,b,c,d,e	9,34
0014	099990			S				PIVOT; FOR BEARING		c,e	13,48
0015	0PE015			S				SPACER		c,e	19,89
0016	0PE016			S				OVERFLOW CONNECTOR; MAX/MIN		a,b,c,d,e	32,78
0017	032460			S				GASKET		a,b,c,d,e	1,36
0018	038036							PLUG		a,b,c,d,e	
0019	038049							PLUG		a,b,c,d,e	19,29
0020	0PE017			S				BEARING		c,e	10,29
0021	0PE018							DOOR GUIDE; LOWER		c,e	88,81
0022	0PE019				D			SLIDING SHOE; LOWER; F/ DOOR		c,e	39,79
0024	037804			S				HANDLE; DOOR		c,e	12,84
0025	088164							SMALL PLATE		c,e	130,90
0026	0PE022							HEATING ELEMENT; 750W 230V		c,e	241,60
0027	088274			S	A			ADHESIVE HEATING ELEMENT; 220V-1000W		a,b,c,d,e	172,60
0028	031482							SAFETY THERMOSTAT		c,e	34,67
0029	0PE024				A			THERMOSTAT; 35 C-50 C		a,b,c,d,e	25,98
0030	088278		087959					PROBE; TYPE NTC22K		b,c,e	
0031	087959			S	A			PROBE; TYPE NTC22K; L=1600MM		a,c,d,e	32,38
0032	083215							RELAY; 60.62.8.230		c,e	25,12
0033	087481			S	A			USER INTERFACE BOARD; PREC10		a,b,c,d,e	100,80
0034	087946		092598		A			PCB		a,c,d,e	
0035	088197			S	A			RELAY; 400V 16A		a,b,c,d,e	36,75
0036	0PE029							CONNECTOR		a,b,c,d,e	6,36
0037	0PE030							FAN		a,b,c,d,e	116,70
0038	091301							CROSS FLOW FAN		c,e	155,30
0039	084987			S				STRAINER		a,b,c,d,e	15,37

??????	320006									
??????	595320600	???????? 2					Cupboard and components			
.		Alias		S			.			(Euro)
0040	0PE033								a,b,c,d,e	
0041	032669						TERMINAL BOARD		a,b,c,d,e	14,53
0042	032461			S			HOSE		a,b,c,d,e	46,08
0043	0PE034								a,b,c,d,e	
0044	037437			S			FOOT; ASS.		a,b,c,d,e	20,81
0045	033130		092275				CASTOR WITH BRAKE; W/ PLATE		a,b,c,d,e	
0046	033135		092274				CASTOR WITHOUT BRAKE; W/ PLATE		a,b,c,d,e	



PLATON SERVICE

8 (800) 500-34-41

www.platonservice.com